

### Peak Emission Wavelength: 1460nm

The LSF1462C1 consists of a 1460nm high output infrared die in a water-clear 3mm plastic molded package. Custom package solutions and sorting are available.

**FEATURES**

- > High Output Power
- > High Reliability
- > Compact

**APPLICATIONS**

- > Optical Switches
- > Optical Sensors
- > Fiber Optical Communication



### Absolute Maximum Ratings (Ta=25°C)

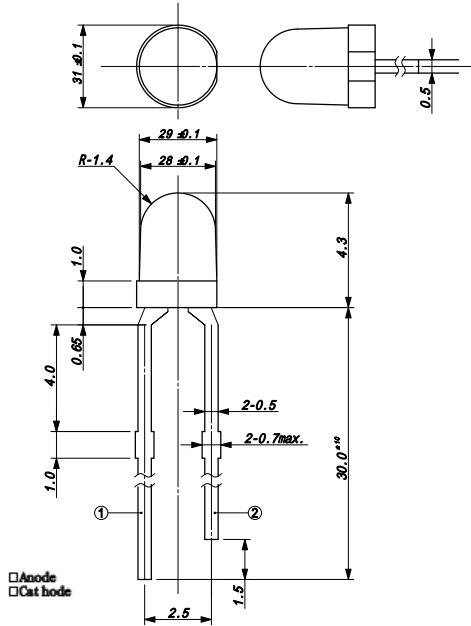


ITEMS	SYMBOL	RATINGS	UNIT
Forward Current	IF	100	mA
Reverse Voltage	VR	5	V
Operating Temperature Range	Topr	-40 ~ +85	°C

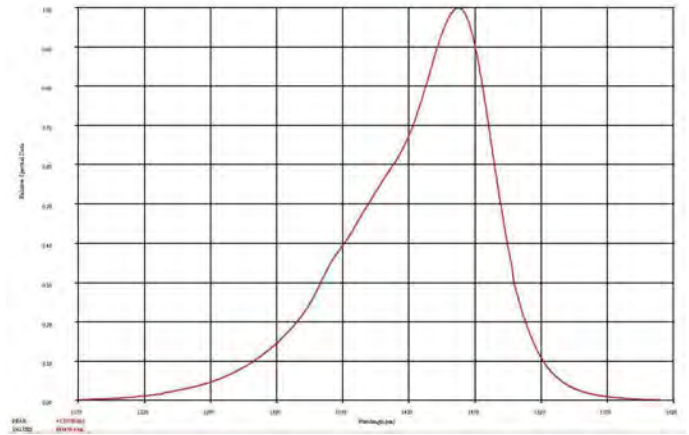
\*1: Tw=10μsec, T=10msec; \*2: Time 5 Sec max, Position: Up to 3mm from the body.

### Electrical & Optical Characteristics (Ta = 25°C)

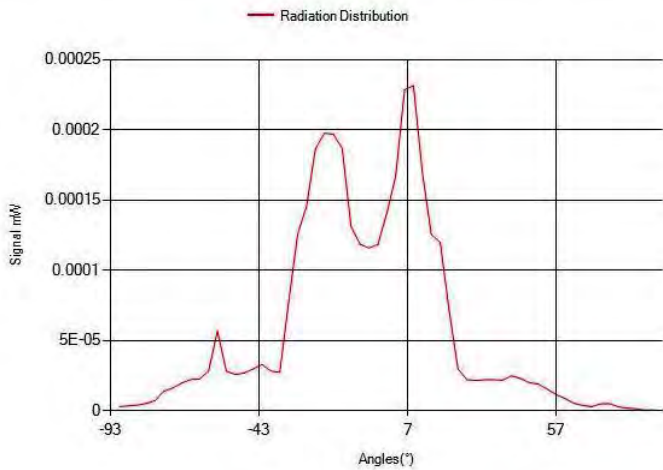
ITEMS	SYMBOL	CONDITIONS	MIN	TYP	MAX	UNIT
Power Output	PO	IF=50mA	--	12.1	--	mW
Forward Voltage	VF	IF=50mA	--	1.02	--	V
Reverse Current	IR	VR=5V	--	--	100	μA
Peak Emission Wavelength	λp	IF=50mA	--	1460	--	nm
Spectral Line Half Width	Δλ	IF=50mA	--	100	--	nm
Half Intensity Beam Angle	Θ	IF=50mA	--	±49	--	deg



## SPECTRAL RESPONSE



## RADIATION DISTRIBUTION



## VIEW ANGLE

