

Peak Sensitivity Wavelength: 940nm

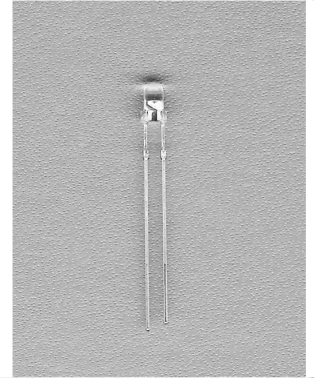
The PDF136D5 is a Photodiode in a water-clear 3mm plastic molded package. It is well suited for high reliability and high sensitivity applications. Custom package solutions are available.

FEATURES

- > Low Dark Current
- > Very Low Capacitance
- > 1.08mm x 1.08mm (1.2mm²) Active Area
- > Narrow Angular Response

APPLICATIONS

- > Optical Sensors
- > Optical Switches



Absolute Maximum Ratings



ITEMS	SYMBOL	RATINGS	UNIT
Reverse Voltage	Vr	20	V
Power Dissipation	Pd	50	mW
Operating Temperature Range	Topr	-20 to +85	°C
Storage Temperature Range	Tstg	-30 to +100	°C
Junction Temperature	Tj	100	°C
Lead Soldering Temperature*1	Tls	320	°C

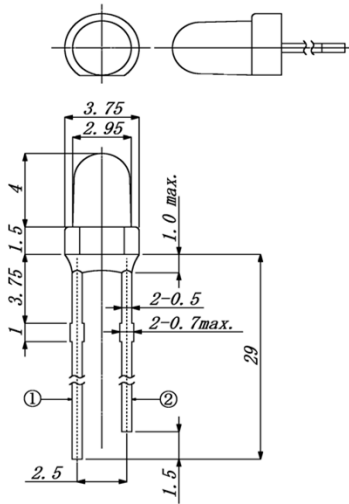
*1: Time 3 Sec max, Position: Up to 5mm from the body.

Electrical & Optical Characteristics (Ta = 25°C)

ITEMS	SYMBOL	CONDITIONS	MIN	TYP	MAX	UNIT
Light Current	IL	VR=10V, Ee=5m/cm2*	30	50	--	uA
Dark Current	ID	VR=10V	--	--	10	nA
Junction Capacitance	Cj	VR=2.5V, f=1MHz	--	6	12	pF
Spectral Sensivity	λ		400	--	1060	nm
Peak Sensitivity Wavelength	λp		--	940	--	nm
Response Time	Tr	VR=20V, RL=50 Ω	--	3.5	--	nS

*Color Temperature=2870°K Standard Tungsten Lamp

Package Drawing



① Anode ② Cathode

