

### Peak Emission Wavelength: 650nm

The 650nm Point Source Series is designed for applications requiring high accuracy and precision. Custom package solutions and sorting are available.

**FEATURES**

- > 3.5x2.2x1.24 Flat Top Ceramic SMT
- > Emitting Window Diameter  $\Phi$  170 $\mu$ m
- > High Reliability / High Output Power

**APPLICATIONS**

- > Optical Sensing / Optical Instruments
- > Linear & Rotary Encoder
- > Machine Vision / CCD
- > Optical Switches



### Absolute Maximum Ratings (Ta=25°C)

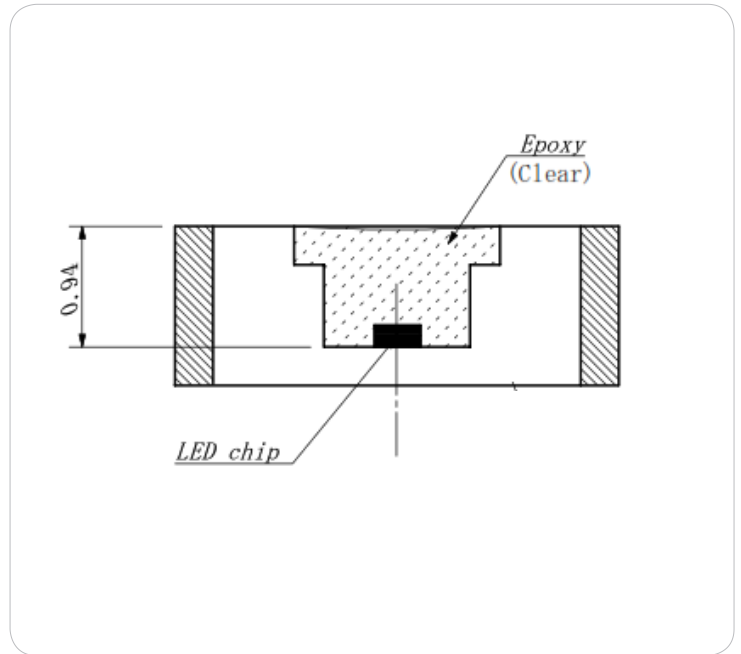
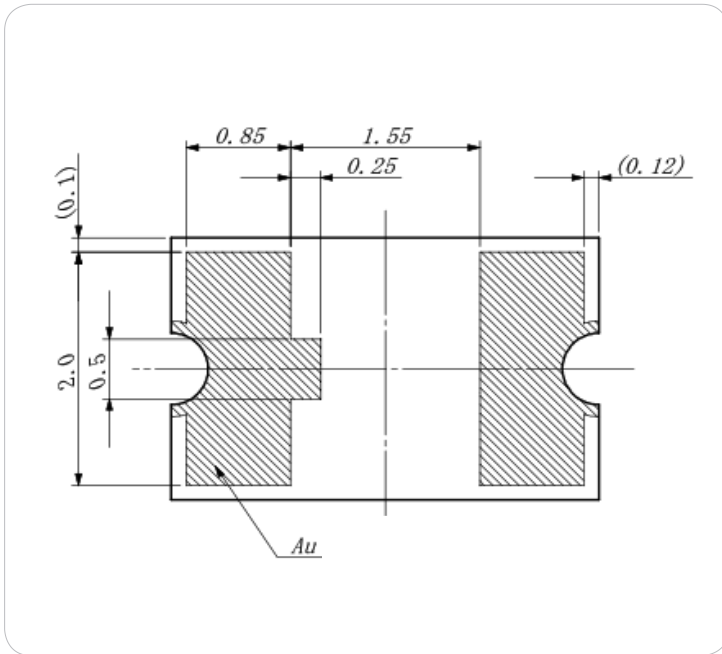
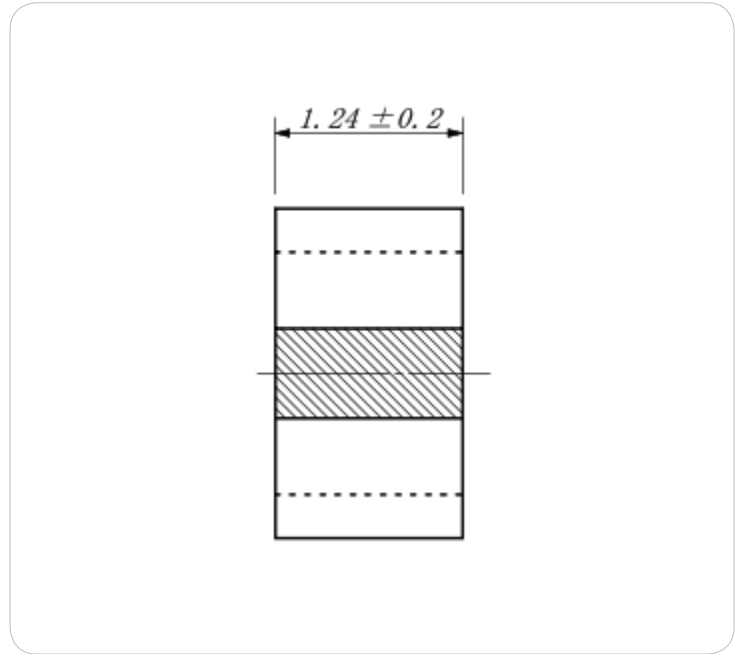
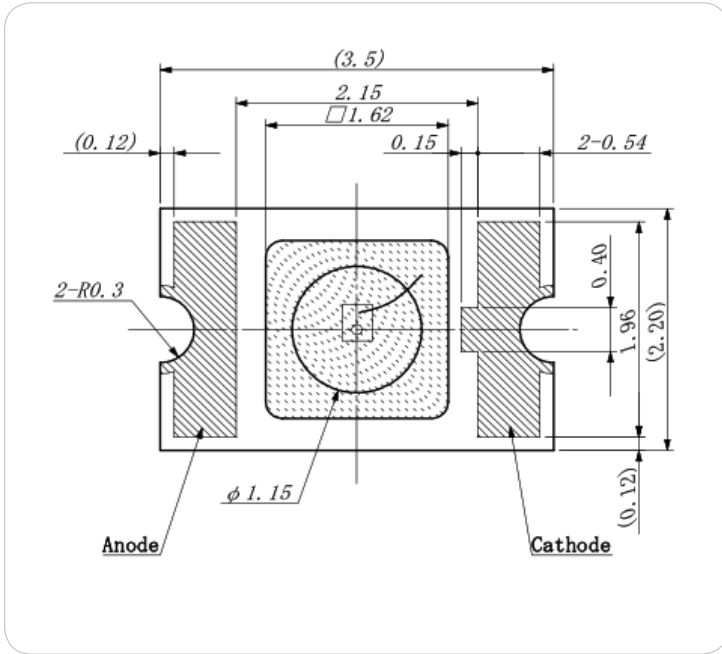


ITEMS	SYMBOL	RATINGS	UNIT
Forward Current (DC)	IF	80	mA
Reverse Voltage	VR	3	V
Operating Temperature Range	Topr	-40 ~ +85	°C
Storage Temperature Range	Tstg	-40 ~ +100	°C

\*1: Tw=10 $\mu$ sec, T=10msec.

### Electrical & Optical Characteristics (Ta = 25°C)

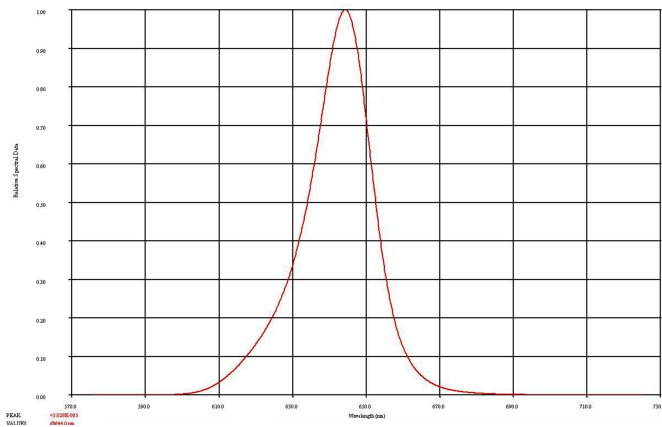
ITEMS	SYMBOL	CONDITIONS	MIN	TYP	MAX	UNIT
Power Output	PO	IF=20mA	--	5.35	--	mW
Forward Voltage	VF	IF=20mA	--	1.93	--	V
Reverse Current	IR	VR=5V	--	--	100	$\mu$ A
Peak Emission Wavelength	$\lambda_p$	IF=20mA	--	650	--	nm
Spectral Line Half Width	$\Delta\lambda$	IF=20mA	--	19	--	nm
Half Intensity Beam Angle	$\Theta$	IF=20mA	--	$\pm 108$	--	deg



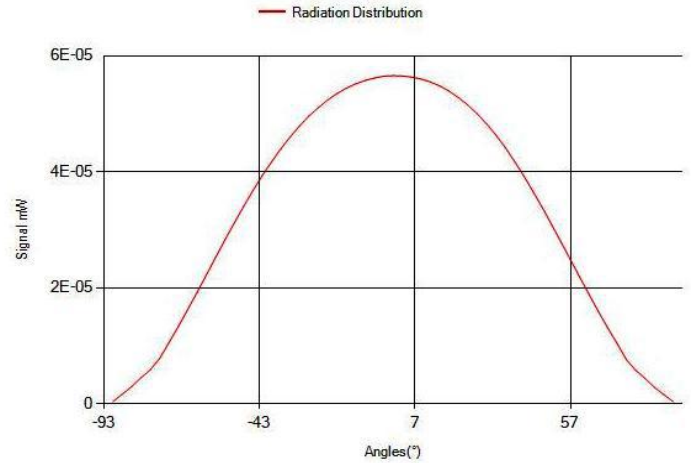
Unit: mm



### Spectral Response



### Radiation Distribution



### View Angle

