

Peak Emission Wavelength: 700nm

The VS710TL1-WRC is designed for applications requiring high output power and precise optical / mechanical axis alignment. Custom package solutions are available.

FEATURES

- > High Reliability
- > Wide Beam Angle
- > TO-18 Metal Can Package

APPLICATIONS

- > Optical Sensors
- > Optical Switches
- > Medical Application



Absolute Maximum Ratings (Ta=25°C)

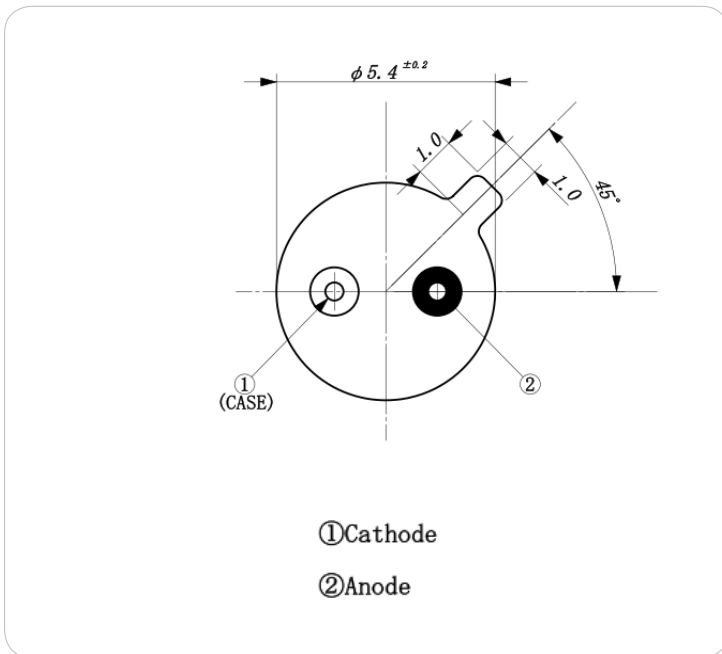
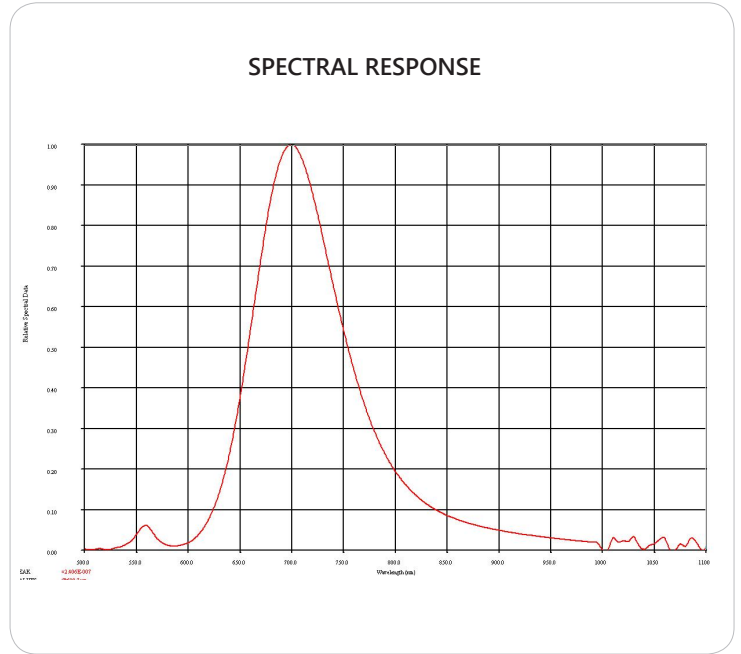
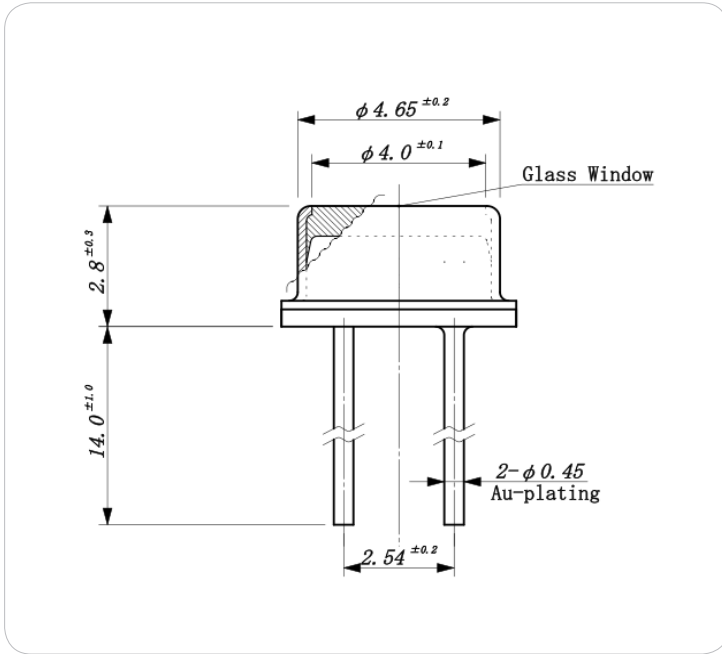


ITEMS	SYMBOL	RATINGS	UNIT
Forward Current (DC)	IF	50	mA
Forward Current (Pulse)*1	IFP	0.5	A
Reverse Voltage	VR	5	V
Power Dissipation	PD	140	mW
Operating Temperature Range	Topr	-20 ~ +80	°C
Storage Temperature Range	Tstg	-30 ~ +100	°C
Junction Temperature	Tj	100	°C
Lead Soldering Temperature*2	Tls	260	°C

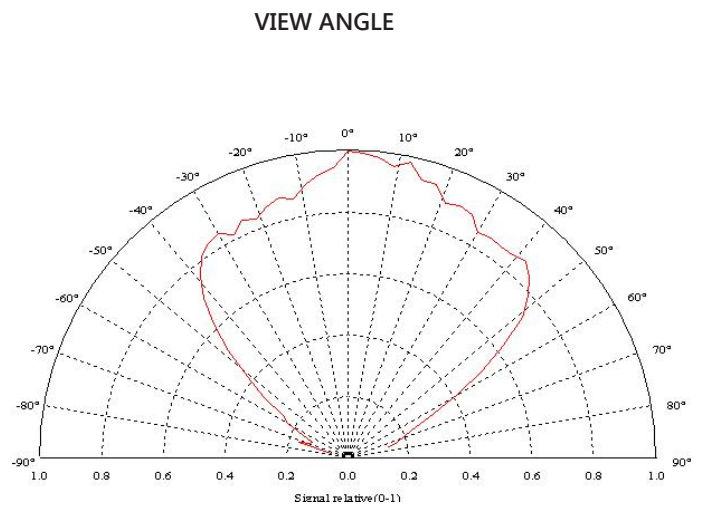
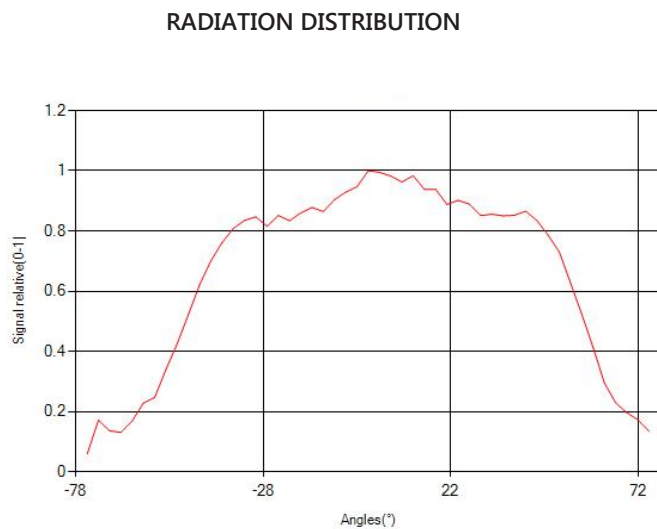
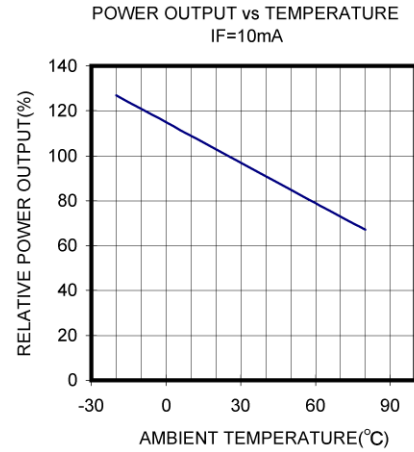
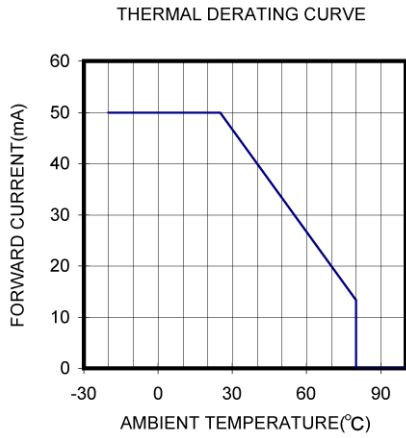
*1: Tw=10μsec, T=10msec; *2: Time 3 Sec max, Position: Up to 2mm from the body.

Electrical & Optical Characteristics (Ta = 25°C)

ITEMS	SYMBOL	CONDITIONS	MIN	TYP	MAX	UNIT
Power Output	PO	IF=50mA	--	0.23	--	mW
Forward Voltage	VF	IF=50mA	--	2.7	--	V
Reverse Current	IR	VR=5V	--	--	100	μA
Peak Emission Wavelength	λp	IF=50mA	--	700	--	nm
Spectral Line Half Width	Δλ	IF=50mA	--	95	--	nm
Half Intensity Beam Angle	Θ	IF=50mA	--	100	--	deg



Unit: mm, Tolerance: ± 0.2



The information contained herein is subject to change without notice.

2025-11-06