

## Peak Emission Wavelength: 460nm

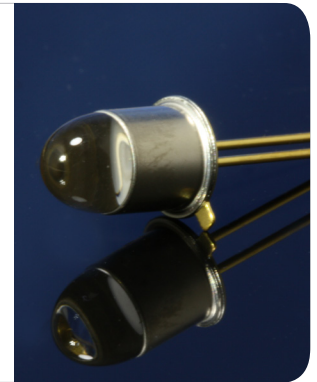
The 460nm visible emitter series is designed for applications requiring high output and precise optical / mechanical axis alignment. Custom package solutions and sorting are available.

### FEATURES

- > TO-18 Metal Can Domed Package
- > High Output Power
- > High Reliability
- > Narrow Beam Angle

### APPLICATIONS

- > Industrial Equipment
- > Medical
- > Machine Vision
- > Currency Validation
- > Light Source For Emitters



## Absolute Maximum Ratings (Ta=25°C)



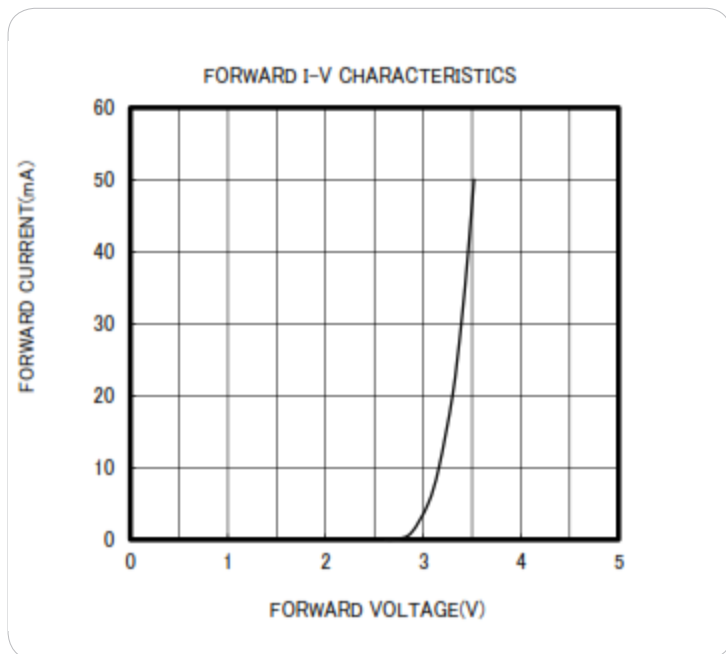
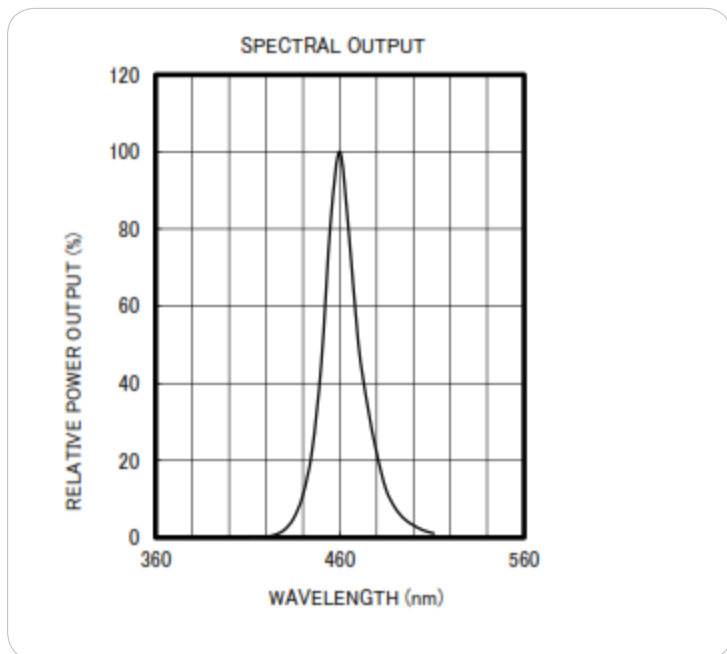
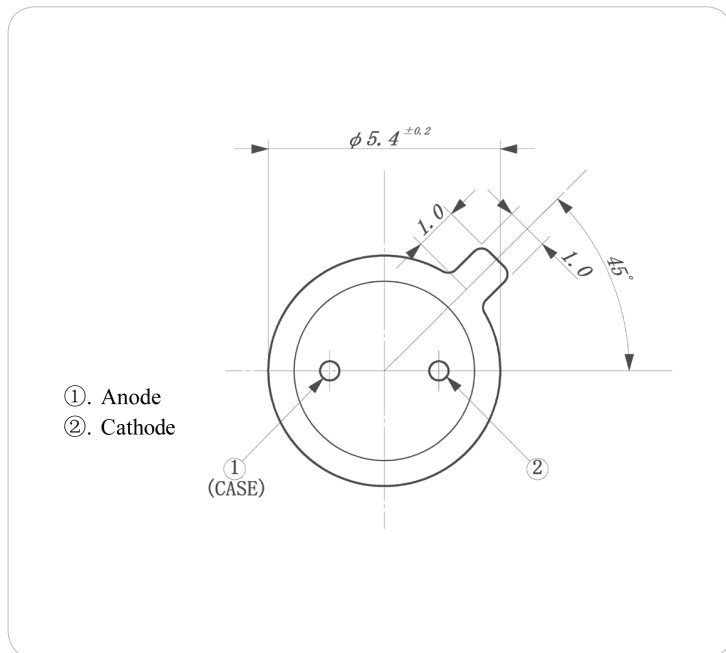
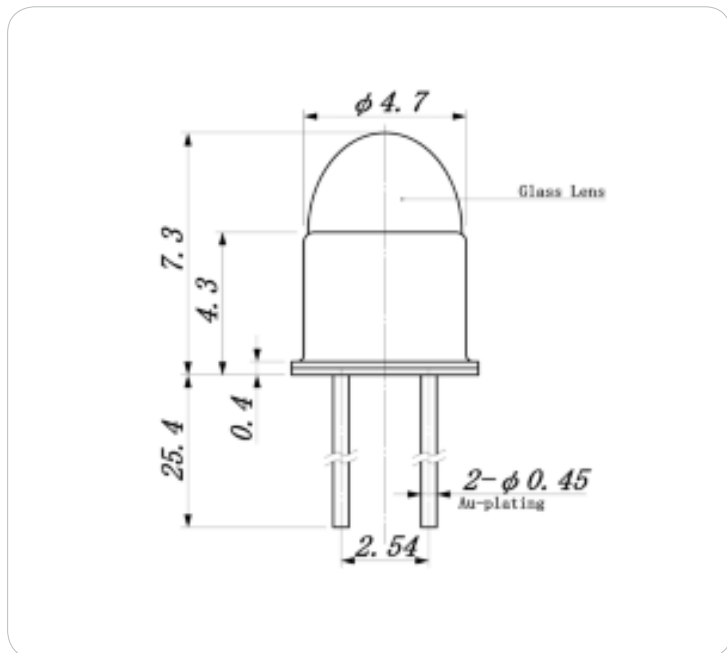
ITEMS	SYMBOL	RATINGS	UNIT
Forward Current (DC)	IF	50	mA
Forward Current (Pulse) *1	IFP	0.5	A
Reverse Voltage	VR	5	V
Power Dissipation	PD	120	mW
Operating Temperature Range	Topr-	-20 ~ +85	°C
Storage Temperature	Tstg	-30 ~ +100	°C
Junction Temperature	Tj	100	°C
Lead Soldering Temperature *2	Tls	260	°C

\*1: Tw=10usec, T=10msec; \*2: Time 5 Sec max, Position: Up to 3mm from the body

## Electrical & Optical Characteristics (Ta = 25°C)

ITEMS	SYMBOL	CONDITIONS	MIN	TYP	MAX	UNIT
Power Output	PO	IF=20mA	--	9.0	--	mW
Forward Voltage	VF	IF=20mA	--	3.3	3.8	V
Reverse Current	IR	IF=20mA	--	--	100	µA
Peak Emission Wavelength	λp	IF=20mA	--	460	--	nm
Spectral Line Half Width	Δλ	IF=20mA	--	20	--	nm
Half Intensity Beam Angle	Θ	IF=20mA	--	±5	--	deg

Package Dimensions



Unit: mm, Tolerance:  $\pm 0.2$

Characteristic Curves (Ta = 25°C)

