

Peak Emission Wavelength: 630nm

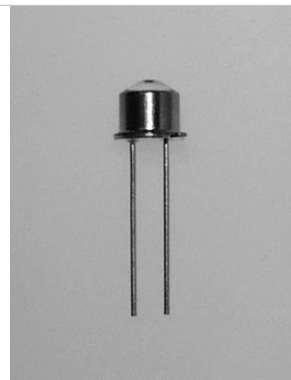
The 630nm Point Source Series is designed for applications requiring high accuracy and precision as well as uniform spectral emission. Custom package solutions and sorting are available.

FEATURES

- > Red Color Point Source LED
- > Emitting Window Diameter Φ 50 μ m
- > Narrow Beam Angle

APPLICATIONS

- > Optical Switches



Absolute Maximum Ratings (Ta=25°C)

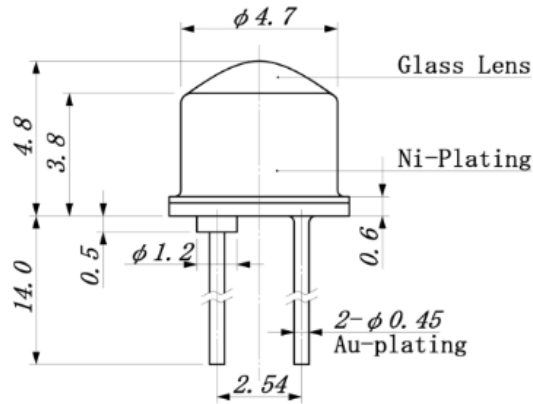


ITEMS	SYMBOL	RATINGS	UNIT
Forward Current (DC)	IF	10	mA
Forward Current (Pulse)*1	IFP	30	mA
Reverse Voltage	VR	5	V
Power Dissipation	PD	45	mW
Operating Temperature Range	Topr	-20 ~ +85	°C
Storage Temperature Range	Tstg	-30 ~ +100	°C
Lead Soldering Temperature	Tls	260	°C

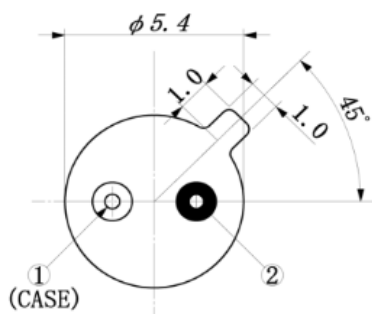
*1: Tw=10 μ sec, T=10msec.

Electrical & Optical Characteristics (Ta = 25°C)

ITEMS	SYMBOL	CONDITIONS	MIN	TYP	MAX	UNIT
Power Output	PO	IF=5mA	--	150	--	μ W
Forward Voltage	VF	IF=5mA	--	2.2	2.6	V
Reverse Current	IR	VR=5V	--	--	100	μ A
Peak Emission Wavelength	λ_p	IF=5mA	--	630	--	nm
Spectral Line Half Width	$\Delta\lambda$	IF=5mA	--	15	--	nm
Half Intensity Beam Angle	Θ	IF=5mA	--	± 6	--	deg



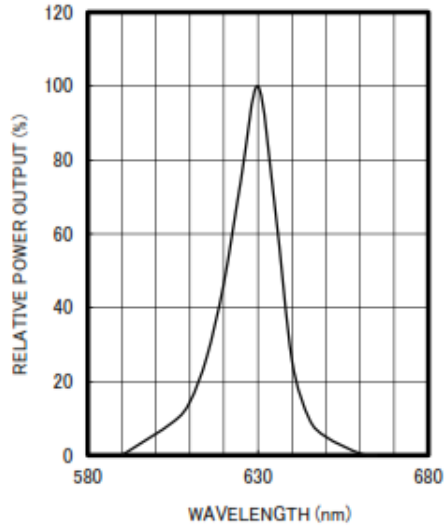
① Cathode ② Anode



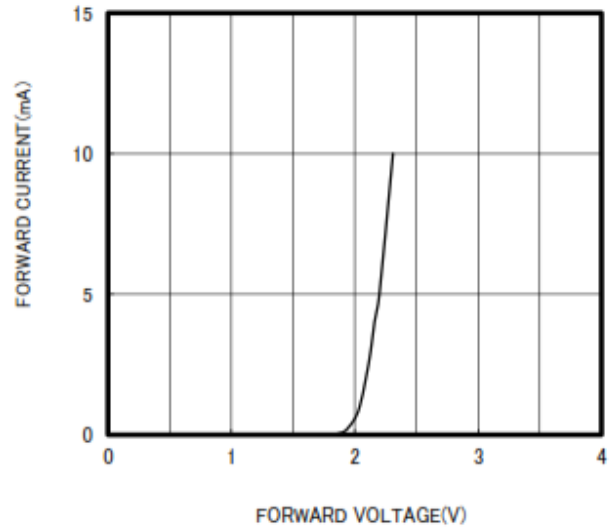
Unit: mm, Tolerance: ±0.2

2016-09-29

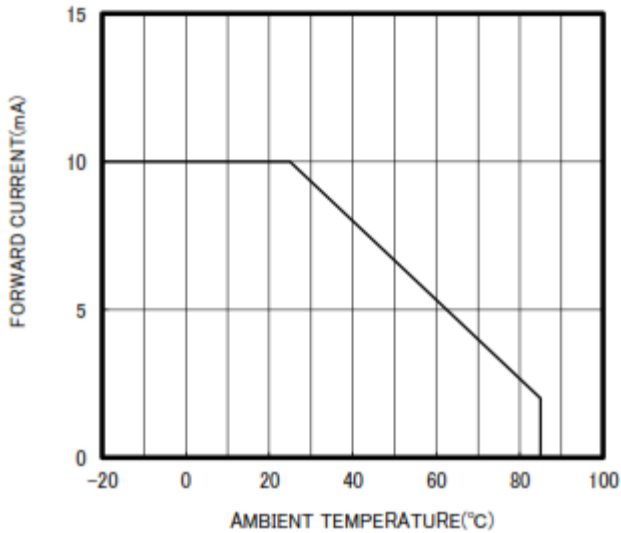
SPECTRAL OUTPUT



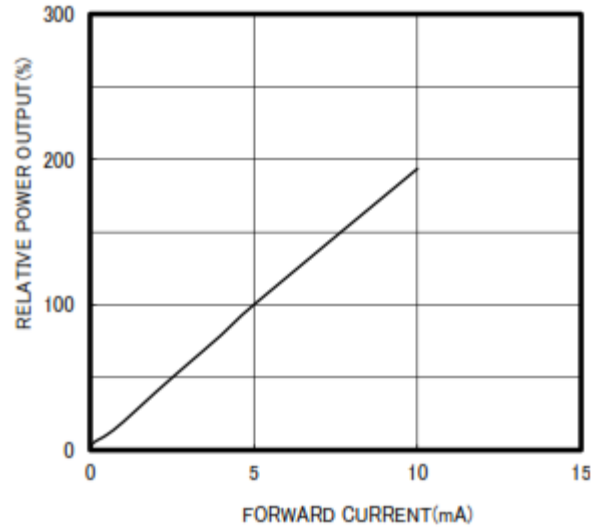
FORWARD I-V CHARACTERISTICS

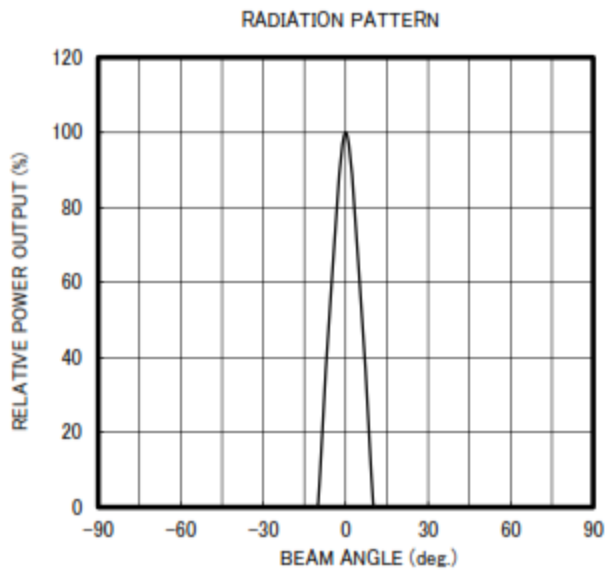


THERMAL DERATING CURVE



RELATIVE POWER vs FORWARD CURRENT





The information contained herein is subject to change without notice.

2016-09-29